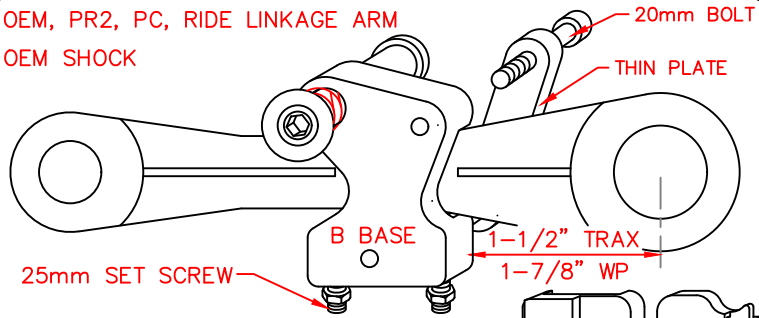
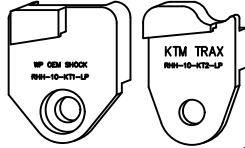


# RHH MOUNTING DISTANCES - RACE REP

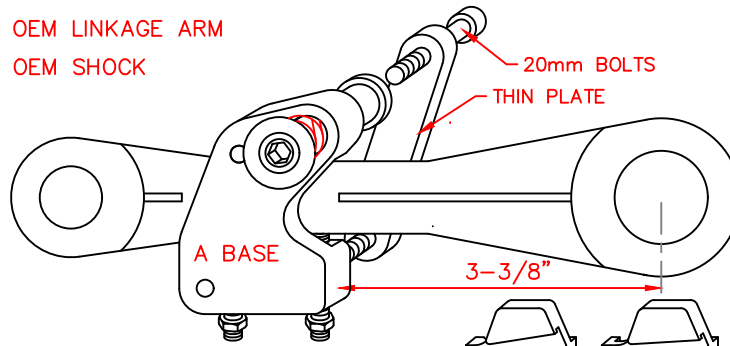
OEM, PR2, PC, RIDE LINKAGE ARM  
OEM SHOCK



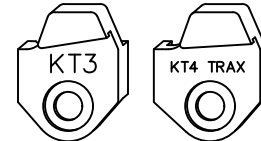
KTM - HUSQ - GASGAS 125cc  
& LARGER - 2014 - 2021



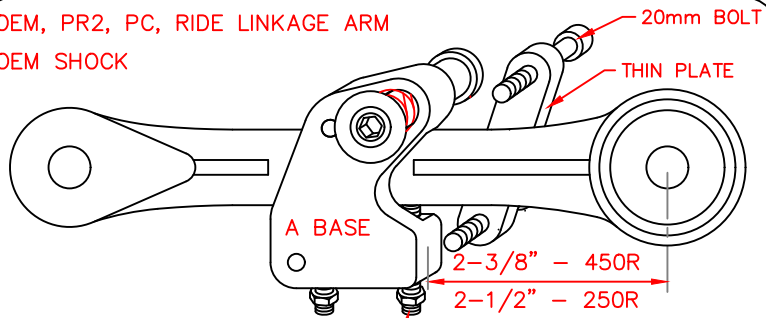
OEM LINKAGE ARM  
OEM SHOCK



KTM - HUSQ - 2022.5 - 2023  
GASGAS FAC. ED. ONLY - 2023



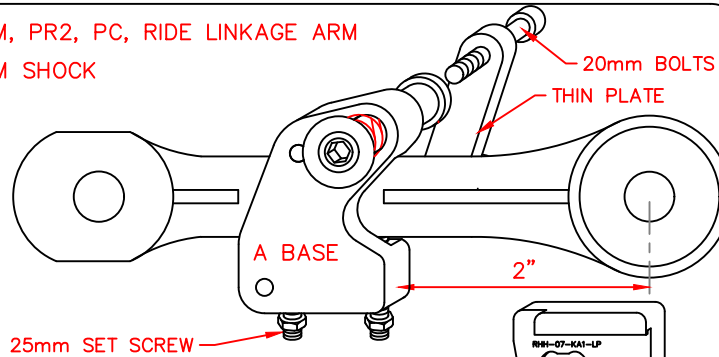
OEM, PR2, PC, RIDE LINKAGE ARM  
OEM SHOCK



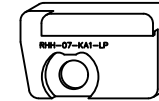
HONDA CRF250R - '18-'23  
HONDA CRF450R - '17-'23



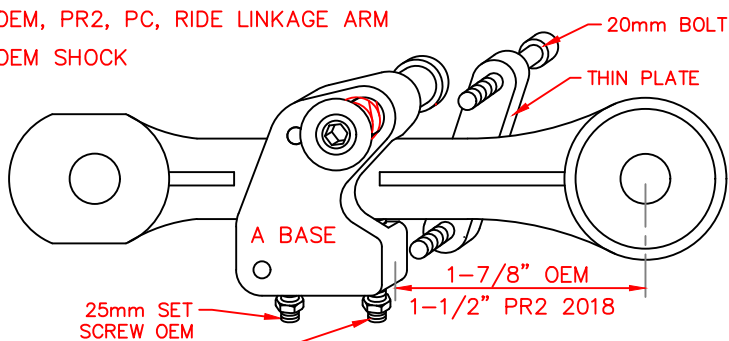
OEM, PR2, PC, RIDE LINKAGE ARM  
OEM SHOCK



KAWASAKI KX250/450F - 2013 - 2023

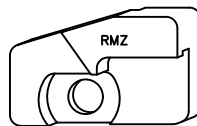
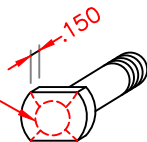


OEM, PR2, PC, RIDE LINKAGE ARM  
OEM SHOCK

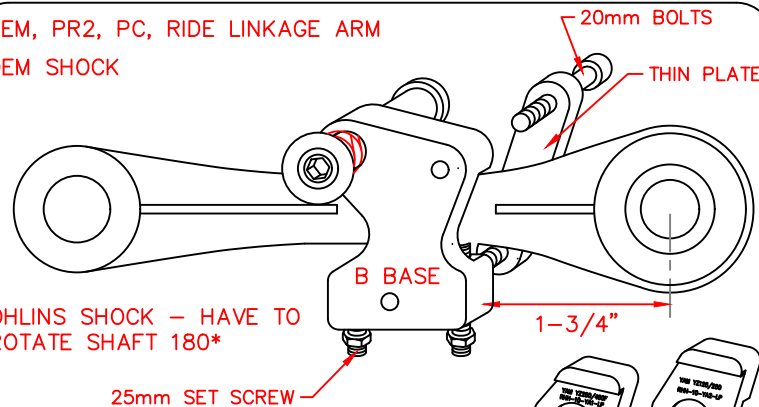


SUZUKI RMZ250/450 - 2016 - 2021

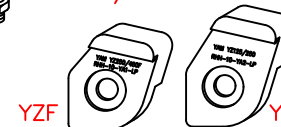
OEM LOWER SHOCK BOLT NEEDS  
FACE MACHINED DOWN TO .150"



OEM, PR2, PC, RIDE LINKAGE ARM  
OEM SHOCK



YAMAHA YZ & YZF - 2013 - 2023



UPDATED 1/2/23